



NS-280FX

8x SFP Slots with 2 Giga unmanaged Ethernet switch

NS-280FX is a unmanaged SFP switch, each SFP port especial designed support high power source for feeding high power consumption SFP module as VDSL2-SFP / G.fast-SFP module, if install them it can be became a unmanaged IP DSLAM, or mixing install VDSL2-SFP / G.fast-SFP module plus Fiber optical module to extend your networking services and applications to farther places. NS-280FX also supports isolation function on SFP port for security, which can be easily configured by slide switch on front panel. There are lots of Multiple ports SFP switches in the market always power source is not enough to driver VDSL2-SFP / G.fast module or encounter overheat issue. Therefore, we put lots of effort for power source and good heat dissipation as NS-280FX's SFP slots are separated to each other, and build in two internal fans as well as special ventilated design for metal housing, to prevent SFP module overheat issue. With high performance and easy installation, NS-280FX can be utilized in ISP network solution for FTTP (Fiber to the distribution point), FTTC (Fiber to the Curb) and FTTB (Fiber to the Building), also for SOHO application.

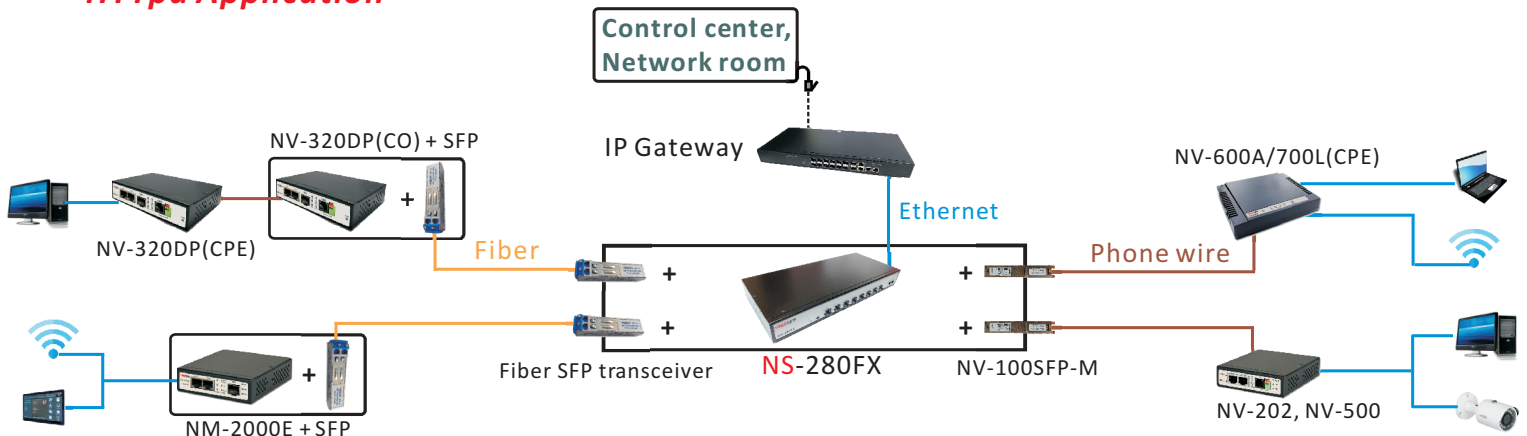
Features

- Supports 2 x 10/100/1000TX & auto-MDIX for RJ-45 port
- Supports 8 x 1.25G SFP slots
- Compatible to VDSL2 SFP module
- Supports Slide switch for setting SFP port isolation mode
- Supports Rack mount bracket
- Compact in size, easy installation
- Plug & Play
- Flexible application & installation
- Support MTU 1632 bytes

Specifications

Standards	IEEE 802.3u/ IEEE 802.3ab/ IEEE802.3z	Power Supply	Input : AC 100-240 volts /50-60Hz
Interface	2 x RJ45 8x SFP slots 1 x Slide switch	Power Consumption	4W (Empty load)
Slide Switch	SFP port isolation Mode	Optional accessories	Rack mount bracket
LED Indication	System : PWR SFP port : LNK Giga port : 1G/ ACT,100M/ACT,10M/ACT Isolation : ISO	Dimensions	356mm x 156mm x 44mm
Certification	CE, FCC, RoHS Compliant	Weight	1.645 kg
		Temperature	0~50°C (Operating), -20~70°C (Storage)
		Humidity	10-90% non-condensing

HTTpd Application



*Netsys reserves the right to change specifications without prior notice