



NH-310HG

Giga Ethernet over Coax Master

NH-310HG is a Giga Ethernet over Coax managed Master. It is designed to connect with NH-310S EoC slave for MDU and MTU applications that leverage the two most popular network connections for accessing network 10/100/1000Mbps Ethernet and coaxial cable connection. It is a plug & play cost effective MDU and MTU solution that eliminates the pain in modification and high infrastructure cost. With the data transmission up to 320 Mbps, it meets the growing demand for high speed multimedia services for IPTV、buildings、apartments、hotels、resorts and other places that need a high bandwidth network.

Features

- Supports up to 60 slaves connecting
- Supports SNMP V2
- Supports slave Rate Control and Port Enable/Disable
- Supports point-to-multipoint application
- Web-based management
- Extends LAN connectivity using existing coaxial cable
- Supports MDU and MTU Application
- Supports VLAN function for each Endpoint isolation
- Supports 60 characters/ per slave for location remark

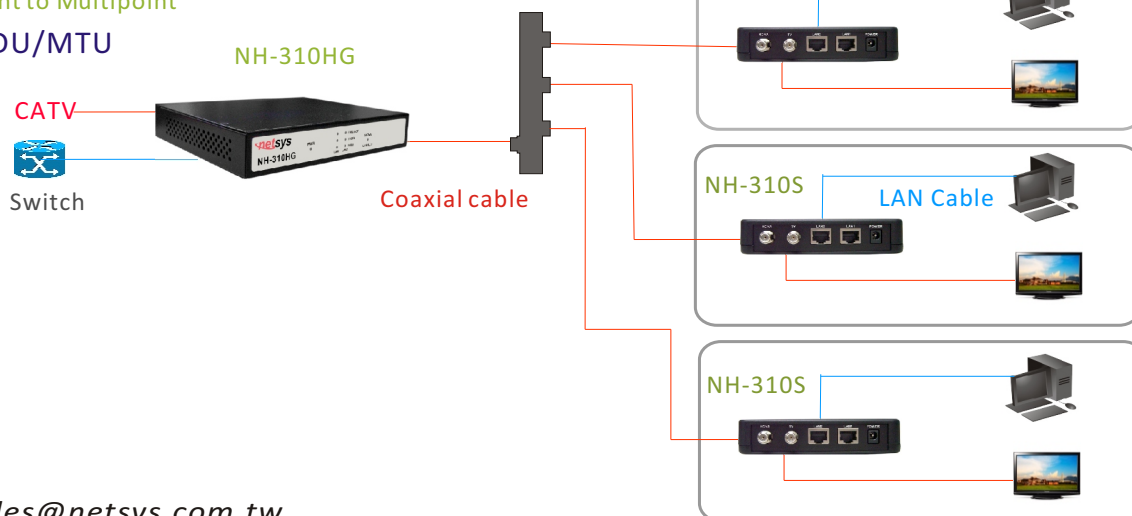
Specifications

Physical Interface	2 x RJ-45 10/100/1000Mbps 1 x 12VDC/1A power jack 1 x DB9 Console port
Coax Interface	1x F-type female coax connector for STB/TV 1x F-type female coax connector for HCNA
Max. Bandwidth	Up to 320Mbps throughput
Indicators	LAN: Act/Link, Power; HCNA : Link
Certification	CE, FCC, RoHS Compliant

Standards	IEEE802.3 IEEE802.3u IEEE802.3ab Compliant ITU-T G.9954
Transmission Spectrum	12MHz~44MHz and coexist at 47MHz
Memory Size	32M bytes
Dimension	173mm x 142mm x 30mm(6.81" x 5.59" x 1.18")
Temperature	0~50°C(Operating), -20~70°C(Storage)
Humidity	10 - 90% non-condensing

Application

Point to Multipoint
MDU/MTU



sales@netsys.com.tw

*Netsys reserves the right to change specifications without prior notice

