



NH-310C

Ethernet over coax Endpoint

NH-310C is an Ethernet over Coax Endpoint that is designed for home and office applications that leverage the two most popular network connections for home use: Ethernet and coaxial cable connection. It is a plug & play cost effective home networking solution that eliminates the pain in modification and high infrastructure cost, it allows Ethernet connectivity in existing facilities or homes without pulling extra cables. With point-to-point and point-to-multipoint applications, it provides Ethernet connectivity over existing CATV grade Coaxial cables in locations such as apartments, hotels and buildings that require a high bandwidth network.

Features

- Supports point-to-point application
- Supports up to 10 endpoints or slaves
- Extends LAN connectivity using existing coaxial cable
- Supports Multicast IP table
- Supports plug and play, no configuration required
- Supports auto-speed from 32Mbps up to 200Mbps
- Transmits CATV and Ethernet over coaxial cable
- Supports IGMP Snooping V1 / V2

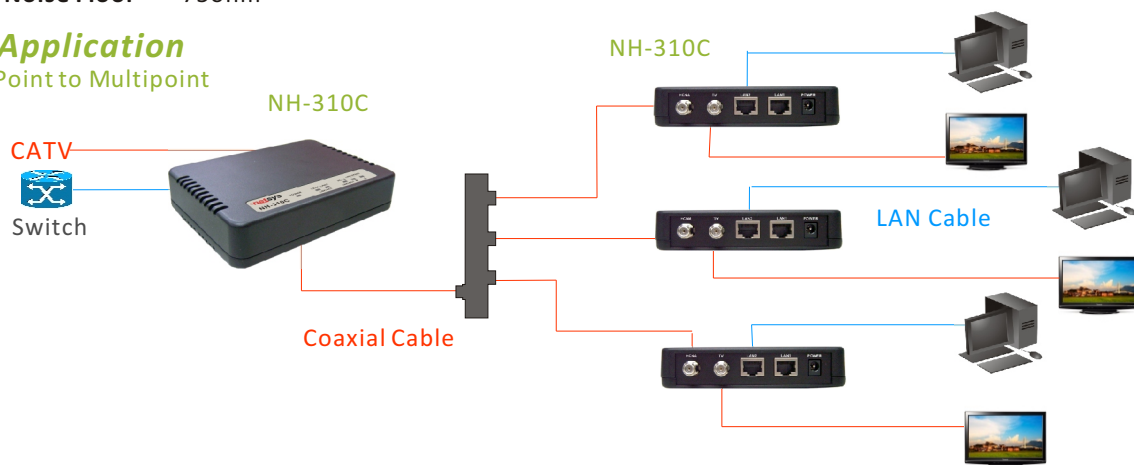
Specifications

Physical Interface	2x RJ-45/100Mbps
Coax Interface	1x F-type female coax connector for HCNA 1x F-type female coax connector for STB/TV 1x 5VDC/1A power jack
Transmission Spectrum	12MHz~44MHz
Max. Bandwidth	Up to 200Mbps
Max. Noise Floor	-160dBm/Hz(Up to 1100m)over RG-59 75ohm

Standards	IEEE802.3 IEEE802.3u Compliant ITU-T G.9954
Indicators	LAN: Act/Link, Power; VDSL2: Link
Power Consumption	3 watts
Certification	CE, FCC, RoHS Compliant
Dimensions	130 x 94.5 x 27 mm (5.12" x 3.72" x 1.06")
Temperature	0~50°C(Operating), -20~70°C(Storage)
Humidity	10 - 90% non-condensing

Application

Point to Multipoint



sales@netsys.com.tw

*Netsys reserves the right to change specifications without prior notice



NH-310C

www.netsys.com.tw